

CONTROL PANELS

For orders Call: 0860 22 55 23

Vendor	Description
CONTROL COMMUNICATORS	
Honeywell Omni & XL Series	
B0695	Omni 600 Control Panel 6 fully programmable zones (12 zones with our unique zone doubling option). Four trigger outputs, 15 user codes, 128 event log. Compatible with the following keypads: OMNI KP, OMNI LCD, and XK 108
B0810	Omni 600 Control Panel & XK108 Keypad Omni 600 control panel with 8 zone LED keypad
B0669	Omni 600 Control Panel & KP Keypad Omni 600 control panel with fixed Icon keypad
B0668	Omni 848 Control Panel 8 Zones expandable to 48 programmable zones using both wired and wireless. 8-16 Wired zones (16-32 zones with our unique zone doubling option). 64 user codes, 128 event Smart Log, 3 partitions plus a common partition, auto arming by partition, supports up to 8 wireless remote key fobs without sacrificing any zones, 4 programmable triggers on board plus up to 20 Pgm's. Compatible with the following keypads: XK108, OMNI KP, OMNI LCD, XK7LC.
B0670	Omni 848 Control Panel & KP Keypad Omni 848 control panel with fixed Icon keypad
B0682	XL 2 T Control Panel 7 zone control/communicator. Two trigger outputs. Compatible with the following keypads: XL4600SM, 6615, OMNI LCD, XK7LC.
B0683	XL 2 T Control Panel & XL 4600 SM Keypad XL 2T Control panel with 8 zone Led keypad
B0684	XL31 Control Panel 12 zone control/communicator. Features include up/downloading, remote commands, 30 user codes, auto arming. Compatible with the following keypads: XL4612SM, XK716, OMNI LCD, XK7LC.
B0678	XL 4 Control Panel 8 zone control / communicator, expandable up to 72 Zones (with modules listed below). Features 8 partitions, 64 user codes, up to 40 relays and 128-event downloadable system log. Compatible with the following keypads: XK716, OMNI LCD, XK7LC.
B0681	XL 5 Control Panel 8 zone control/communicator, expandable up to 128 zones (with modules listed below.) The XL-5 comes standard with 8 partitions, up to 40 relays, 128 user codes plus exception reporting. Compatible with the following keypads: XK716, OMNI LCD, XK7LC.
KEYPADS	
Honeywell Omni & XL Series	
B0685	XL 4600 SM Keypad LED surface mount keypad for XL 2 T, XL 2 S, XL 2 G
B0686	XL 4612 SM Keypad LED surface mount keypad for XL 31
B0677	XK 716 Keypad LED style keypad for XL 31, XL 4 and XL 5
B0676	XK 7 LC Keypad Large display LCD keypad for OMNI series, XL 2 T, XL 2 P, XL 31, XL 4, XL 5

Vendor	Description
Honeywell Omni & XL Series <i>(continued)</i>	
B0675	XK 108 Keypad LED surface mounted keypad for Omni 600
B0667	OMNI KP Keypad Fixed Character LCD Display for OMNI series
B0665	OMNI LCD Keypad Large display keypad for OMNI series
MULTIPLEX	
Honeywell Omni & XL Series	
B0702	7103 UL Module Trigger cable for the OMNI XL 4 and XL 5
B0680	XL 4705 Module Trigger relay module for the OMNI. XL 4 & XL 5. 5 relays per each 4705 module
B0666	OMNI EXPANDER 8 8 zone hardwired (non-multiplex) expander for OMNI 848 & OMNI 624
B0693	7105 Expander 8 zone hardwired (non-multiplex) expander. Provides 8 additional zones for a total of 16. For use with XL4 and XL5
B0691	7120 Expander Multiplex expansion device for XL 4 series. Provides 2 wire multiplex buss to enable 64-point expansion capability
B0692	7126 Expander Multiplex expansion device for XL 5 series. Provides 2 wire multiplex buss to enable 128 point expansion capability
B0701	7130 Interface Module Local printer interface module for XL 4 and XL 5 series. Allows connection of serial printer (300 Baud) for local output of system log
B0789	4208 A MODULE 8 point multiplex module. UL Commercial Burglary/Fire
B0788	XL MEXT Bus extender Multiplexer Bus Extender, extends bus beyond 1200m
WIRELESS	
Honeywell Omni Series	
B0687	ZR510 Door / window transmitter with built in reed switch
B0703	ZR520 Remote panic button
B0688	ZR530 PIR with on board transmitter
B0689	ZR590 4 button key fob for on / off, panic etc.
B0713	5808EU Smoke detector
B0690	RF/ZR402EU 48 zone receiver for OMNI 848 & OMNI 624

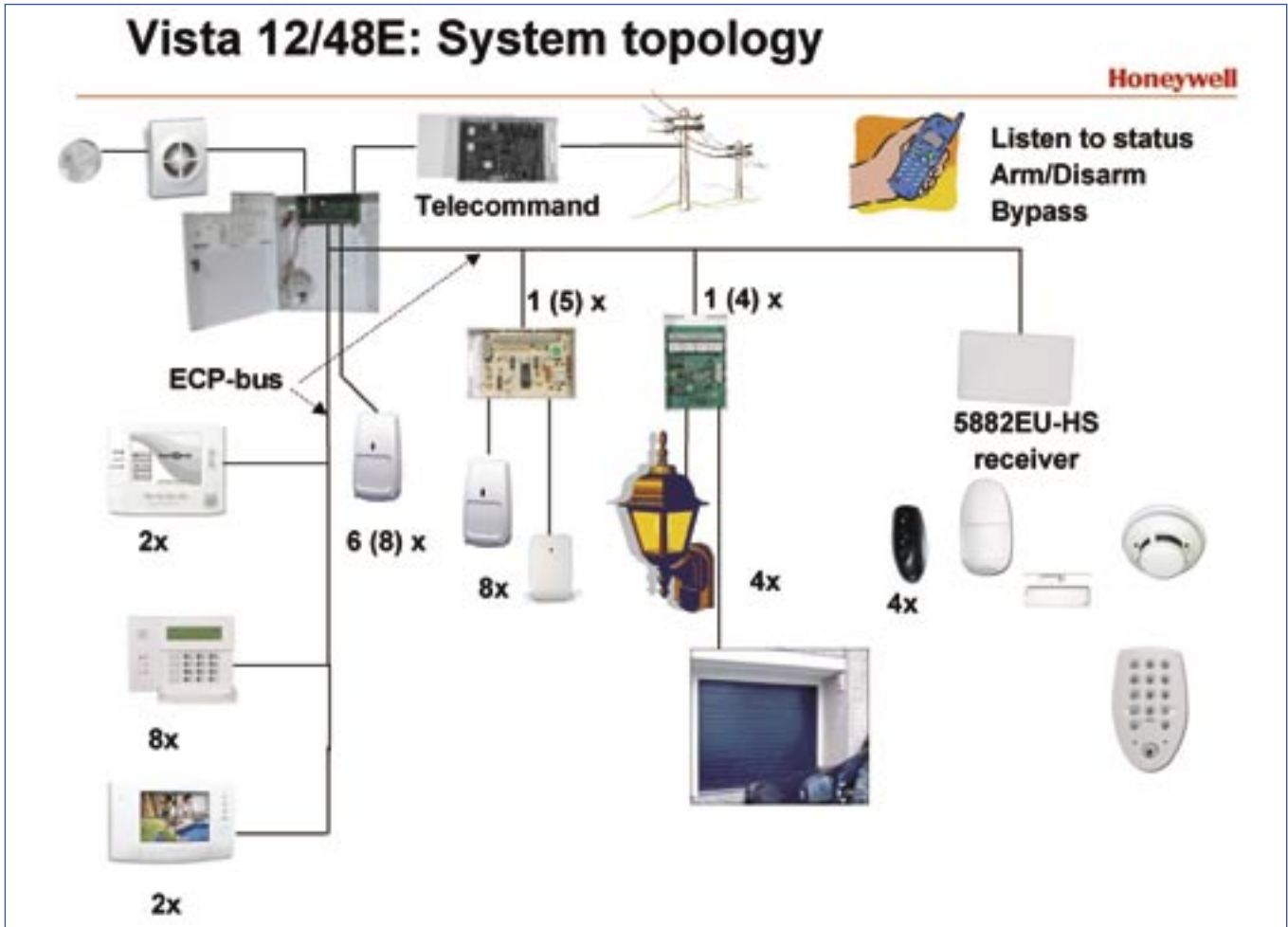
Vendor

Description

CONTROL COMMUNICATORS

Honeywell Vista Series

B1013	Vista 12 E Control Panel 6-Zone (Expandable To 22 Zones)
B1014	Vista 48 E Control Panel 8-Zone (Expandable To 48 Zones)
B1012	Vista 120 Control Panel 9-Zone (Expandable To 128 Zones)



KEYPADS

Honeywell Vista Series

B0874	6148EX Keypad Small Fixed Glass (12-KeyW/O Backlight)
B0875	6150KP Keypad Larger Fixed Glass (16-KeyWith Backlight)
B0876	6160LCD Keypad Alpha Display Keypad (2 Line By16 Characters)

ADI is a tradename of Honeywell Southern Africa (Pty) Ltd. October 2007
ADI reserves the right for data changes and/or printing errors. E. & O.E.

Vendor	Description
GRAPHIC KEYPADS	
Honeywell Vista Series	
B0805	B&W Graphics LCD keypad Voice message unit with 127 second recording, controls up to 96 outputs, touch screen LCD keypad compatible with Vista range control panels, control up to 16 X10 devices.
B0807	Color Graphics LCD keypad Voice message unit with 127 second recording, controls up to 96 outputs, internet connectivity, touch screen LCD keypad compatible with Vista range control panels. Control up to 16 X10 devices.
B0887	Power Supply for Graphic Keypads 1.2 Amp Power Supply For 8132I
Optiflex	Optiflex Optiflex camera unit up to 6 cameras compatible with 8132i keypad only & Vista control panels
MULTIPLEX (Compatible w/Vista-12 & Vista-48 Controls)	
Honeywell Vista Series	
B0870	4204 Relay module 4-Relay Output Module
B0872	4219 Expander 8-Zone Expansion Module
B0873	4229 Expander 8-Zone Expansion + 2-Relays
B0871	4208 U Expander 8-Zone Expansion Module
B1015	V-Plex V-Plex Buss Short Isolator
B0868	4101 SN 1 Zone + 1 Relay
B0869	4193 SN Sim Module
ACCESSORIES	
Honeywell Series	
B0763	Vista voice module Voice Module
B0897	Vista Modem Modem
B0679	Telecommand Telephone access module. Operates security system through touch-tone telephone, including cellular, remote and local access, compatible with Omni and Vista panels, personalized vocabulary for zone descriptors, stores up to 253 zone descriptors recordable by installer or end-user, 1 x built-in voltage output trigger (12vdc, 200ma) telephone controllable
B0760	Programmable two-input alarm teledialer DL-125C With built-in multi-message speech processor.Programable to dial up to 3 numbers
B0787	OMNI 600 Control PC Board only
B0699	XL 2 T Control PC Board only

Vendor

Description

Honeywell Series (continued)

B0696	XL 31 Control PC Board only
B0697	XL 4 Control PC Board only
B0700	XL 5 Control PC Board only

ADEMCO COMPLETE KITS**Honeywell Omni Series**

B0622	OMNI600XK108KIT Omni600+keypad, 2 Pir, 2 Mags, 1 Panic, Transformer, Siren, Battery
B0621	OMNI600KPKIT Omni600+keypad, 2 Pir, 2 Mags, 1 Panic, Transformer, Siren, Battery
B0623	OMNI848KPKIT Omni848 + keypad, 6 Pir, 2 Mags, 1 Panic, Transformer, Siren, Battery.

**OMNI 600KP KIT****CONTROL COMMUNICATORS****Pima Hunterpro Series**

B0880	Hunter Pro Control Panel & LED Keypad Hunter Pro 9 to 32 zone control panel including 9 zone Keypad, 2 year lightning warranty, 410 Event log, 2 x Tamper inputs, 2 x Siren outputs, 4 x Programmable outputs
B0878	Hunter Pro Control Panel & 16 Zone LED Keypad Hunter Pro 9 to 32 zone control panel including 9 zone Keypad, 2 year lightning warranty, 410 Event log, 2 x Tamper inputs, 2 x Siren outputs, 4 x Programmable outputs
B0879	Hunter Pro Control Panel & Small LCD Keypad Hunter Pro 9 to 32 zone control panel including Small Lcd Keypad 32 Character display, 2 year lightning warranty, 410 Event log, 2 x Tamper inputs, 2 x Siren outputs, 4 x Programmable outputs
B0881	Hunter Pro Control Panel & Large LCD Keypad Hunter Pro 9 to 32 zone control panel including Large Lcd Keypad 32 Character display, 2 year lightning warranty, 410 Event log, 2 x Tamper inputs, 2 x Siren outputs, 4 x Programmable outputs

KEYPADS**Pima Hunterpro Series**

B0853	RXN 9 LED Keypad, 9-zone
B0818	RXN 416 LED Keypad, 16-zone LEDs
B0819	RXN 400 LCD Keypad - Small LCD with 32 character display
B0855	RXN 410 LCD Keypad - Large LCD with 32 character display
B0851	Virtual Keypad Virtual Keypad for internet connectivity, this module allows the user to connect to the alarm control panel from any internet browser
B0854	RXN-200 Vandal resistant keypad Vandal resistant keypad for harsh environments connects to control panel
B0856	Tech keypad Technician keypad for programming, viewing event log, connects to keypad or control panel (TC-3 Cable included)

**RX410 KEYPAD****TECHNICIAN KEYPAD**

ADI is a tradename of Honeywell Southern Africa (Pty) Ltd. October 2007
ADI reserves the right for data changes and/or printing errors. E. & O.E.

Vendor

Description

MULTIPLEX**Pima Hunterpro Series**

B0820	OUT 1000 Local Output Card, 8 Open Collector Outputs
B0848	RSA Expander Local Expander, 8 zones
B0858	RSA Bus Expander with Box Bus Expander, 8 zones, 1 Relay Output
B0859	Wireless Bus Expander Wireless bus expander compatible with Visonic range of detectors including 2 x remote key fob's
B0857	Wireless Bus Expander Wireless bus expander compatible with Visonic range of detectors
B0882	Wireless Bus Expander Wireless bus expander compatible with Visonic range of detectors including 1 x remote key fob's, 2 x K9-85, 1x Mct-302

**WIRELESS BUS EXPANDER****ACCESSORIES****Pima Hunterpro Series**

B0825	Comax Comax Up/downloading software
B0826	TC3 Technical cable
B0827	VU-20 Digital Voice Message Recording Unit, Message Length Up To 20 s
B0830	PRG-22 Adaptor for programming PRG-22 with PC and Commix
B0828	MIC-200 Microphone Module, For Remote Listen-in, Built-in Auto Sensitivity Adjustment
B0829	PRG-22 Fast Programmer for storing control panel parameters
B0823	LCL-11A Upload/Download Interface For Local Programming
B0824	Modem Hunter Pro up/downloading modem
B0852	GSM-100 Gsm module
B0847	GSM Antenna GSM Dual Band Antenna
B0846	Fuse AC 3.15A, 250VAC
B0845	Fuse Battery 5A, 250VAC

PIMA COMPLETE KITS**Pima Hunterpro Series**

B0615	HUNTER PRO9 Kit Hunterpro & RX9 zone keypad, 2 Pir, 2 Door contacts, 1 Panic button, 1 Tfm, 1 Siren & 1 Battery, including 2 year lightning warranty.
--------------	---

Vendor	Description
Pima Hunterpro Series <i>(continued)</i>	
HUNTER PRO16 Kit	HUNTER PRO16 Kit Hunterpro & RXN16 zone keypad, 2 Pir, 2 Door contacts, 1 Panic button, 1 Tfm, 1 Siren & 1 Battery, including 2 year lightning warranty.
HUNTER PRO LCD Kit	HUNTER PRO LCD Kit Hunterpro & LCD keypad, 6 Pir, 2 Door contacts, 1 Panic button, 1 Tfm, 1 Siren & 1 Battery, including 2 year lightning warranty.
HUNTER PRO Large LCD Kit	HUNTER PRO Large LCD Kit Hunterpro & Large LCD keypad, 6 Pir, 2 Door contacts, 1 Panic button, 1 Tfm, 1 Siren & 1 Battery, including 2 year lightning warranty.

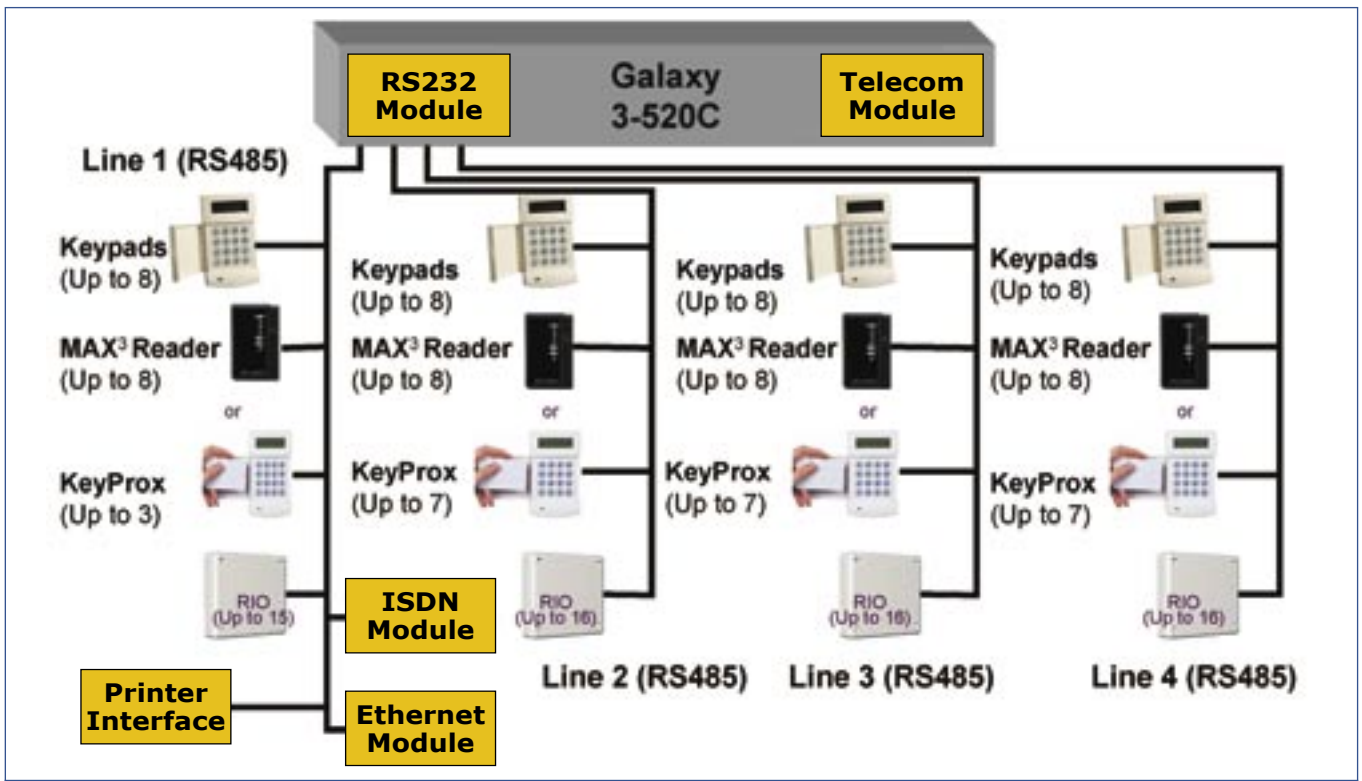


HUNTER PRO LCD KIT

CONTROL COMMUNICATORS

Honeywell Galaxy Series

B0893	GALAXY G3-144 Control Panel & LCD Keypad 16 Onboard zones expandable up to 144 Zones, 8 Partitions, 250 users, 500 event log, Ethernet connection, ISDN connection, RS485 bus (2), 7 Keyprox keypads, 8 Max readers, 8 up to 68 outputs, up to 16 MK 7 keypads
B0894	GALAXY G3-520 Control Panel & LCD Keypad 16 Onboard zones expandable up to 520 Zones, 16 Partitions, 999 users, 2500 event log, Ethernet connection, ISDN connection, RS485 bus (4), 24 Keyprox keypads, 32 Max readers, 8 up to 256 outputs, up to 32 MK 7 keypads



Honeywell Security: GALAXY 3-520C

Control Panels

Vendor

Description

KEYPADS

Honeywell Galaxy Series

B0785	Galaxy Mk7 Lcd Keypad
B0901	CP028-H Mk 7 Lcd keypad with build in Keyprox Ask/Hid Format reader



GALAXY CP028-H KEYPAD

MULTIPLEX

Honeywell Galaxy Series

B0885	Rs232 Interface cable Rs232 Interface cable
B0786	Rio Remote 8 Zone Expander Including 4 Outputs
B0988	Max 3 Handheld programmer Max 3 Handheld programmer
B0986	Max 3 Proximity reader Max 3 Proximity reader
B0987	Max 3 Extension Read Head Max 3 Extension Read Head
B0884	ISDN Module Isdn Module
B0793	Ethernet Module Ethernet Module
B0991	Galaxy 3 amp Smart PSU (boxed) Galaxy 3 amp Smart PSU (boxed)
B0992	Galaxy 3 amp PSU (boxed) Galaxy 3 amp PSU (boxed)
B0993	Galaxy 1amp PSU (boxed) Galaxy 1amp PSU (boxed)



GALAXY MAX3 PROX



GALAXY ETHERNET MODULE

WIRELESS

Visonic Powermax Series

B0749	Power Max Control Panel Kit Wireless 433.9mhz. Fully Supervised Wireless Control Panel Kit, 30 zones (29 wireless, 1 hard-wired). On board digital dialer, voice prompted user commands, 2-way voice, message center, remote control of system via telephone, or cellular phone. DTMF communication formats. Kit includes 1 x MCP - PIR 3000, 1 x MCT - 234 Key fob, 1 x MCT - 302 Mag Contact
B0812	Battery Pack Battery Pack for Power Max kit.

Vendor	Description
ACCESSORIES	
Visonic Powermax Series (Also compatible with Pima wireless receiver)	
B0814	Next PIR 433,9mhz Wireless PIR detector with lithium battery for use with Power Max
B0746	MCP PIR-3000 433,9mhz Wireless PIR detector with lithium battery for use with Power Max
B0815	Next K9-85 The K9-85 has an unprecedented capacity to reliably distinguish between human bodies and pets weighing up to 38 kg (85lb).
B0764	MCT-234 Key fob with 4 buttons. Fully programmable to arm / disarm, panic & auxiliary with lithium battery 433,9mhz
B0741	MCT-302 Wireless Magnetic Contact. Wired input allows for hard wiring magnetic contacts - with lithium battery 433,9mhz
B0817	MCT-425 Supervised wireless photoelectric smoke detector, designed for a wide range of residential and commercial applications.
B0816	MCT-501 Supervised digital glass-break wireless detector compatible with PowerMax™ and other Visonic PowerCode™ wireless systems. It is designed for a wide range of residential and commercial applications where reliable glass-break detection is required.
B0813	MCS-700 Supervised PowerCode™ outdoor (IP55) wireless siren and strobe light that eliminates siren-related cabling work. It is designed for external installation with no effect on the decor of the home.
B0802	MCM-140 Remote wireless keypad with all functions, ON/OFF, AWAY, HOME and AUXILIARY
B0861	MKP-150 2-Waywireless keypad with LCD display with voice prompt
B0863	Gsm Modem Gsm Modem
B0862	RS-232 Kit The RS-232 adaptor kit is an interface kit used between PowerMax control panel and a local Personal Computer. It is used for data downloading and uploading. The kit enables data transfer by using PowerMax Remote Programmer software.
B0735	MCT-100 Wireless Universal transmitter , built in reed switch & 1 hardwired input
B0736	MCT-101 Wireless Transmitter 1 channel Mega Code Rolling Code Technology 433.9mhz
B0737	MCT-102 Wireless Transmitter 2 channel Mega Code Rolling Code Technology 433.9mhz
B0738	MCT-104 Wireless Transmitter 4 channel Mega Code Rolling Code Technology 433.9mhz
B0739	MCT-201 Wireless Transmitter 1 channel pendant Mega Code rolling code 433.9mhz
B0740	MCT-201WP Wireless Transmitter 1 channel pendant Mega Code rolling code -waterproof 433.9mhz
B0742	MCT-211 Wireless Transmitter 1 channel Wrist watch Mega Code rolling code -waterproof 433.9mhz
B0747	MCX-600 Wireless repeater

Vendor	Description
Visonic Powermax Series (Also compatible with Pima wireless receiver) (continued)	
B0748	MCX-8 Wireless expander 8 channel
B0745	SRN-2000W PC For wireless applic. 9V Alkaline bat. operation with built-in TX. Transmits low bat. signal. Also available w/out built-in TX.
B0743	MCR-304 RX Wireless receiver 1 channel
B0744	MCR-308 RX Wireless receiver 4 channel
ALARM VERIFICATION CONTROL PANEL	
Mteye Series	
B12081	Media Gateway Kit 1 x Control Panel with GSM/GPRS modem, 2 x Color Pir cameras (Camera range 6m x 6m, Pir range 9m x 9m), battery included. Up to 4 Mms numbers and 4 email addresses. Expandable up to 6 Camera/Pir.
C15231	Mteye Color camera/pir Camera range 6m x 6m, Pir 9m x 9m



MEDIA GATEWAY KIT